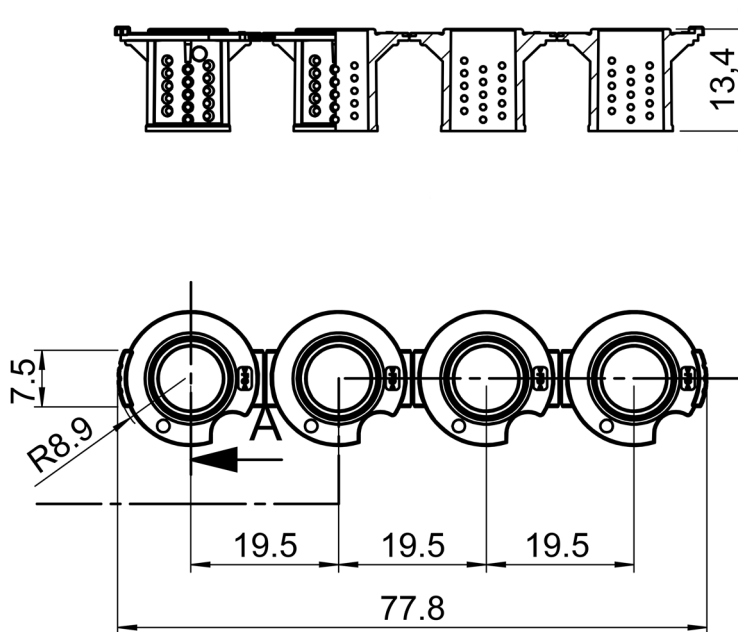


# Insert Strip, height 13 mm, IOS for BRANDplates® 24-well and 24/6-well plate 782811

Dimensions in mm

<b>Volume</b>	50 - 400 µl
<b>Material</b>	Polystyrene, medical grade
<b>Quality</b>	BIO-CERT® CELL CULTURE QUALITY



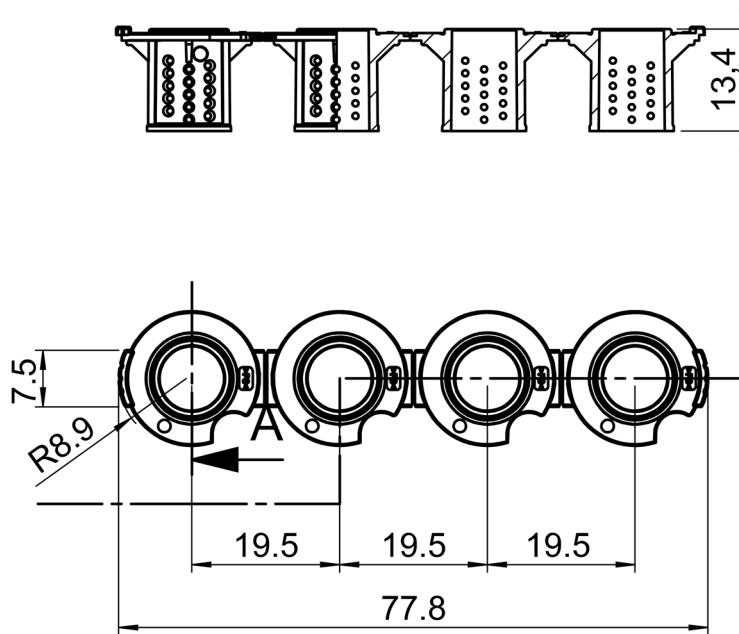
## Membrane properties

<b>Material</b>	Polyethylenterephthalate
<b>Thickness</b>	12 µm
<b>Pore size</b>	0.4 µm
<b>Pore density</b>	2 x 10 <sup>6</sup> /cm <sup>2</sup> , transparent
<b>Culture area</b>	ca. 0.6 cm <sup>2</sup>
<b>Surface treatment</b>	cellGrade™ plus

Subject to technical modification without notice. Errors excepted.

# Insert Strip, height 13 mm, IOS for BRANDplates® 24-well and 24/6-well plate 782871

PRODUCT  
INFORMATION



Dimensions in mm

<b>Volume</b>	50 - 400 µl
<b>Material</b>	Polystyrene, medical grade
<b>Quality</b>	BIO-CERT® CELL CULTURE QUALITY



## Membrane properties

<b>Material</b>	Polyethylenterephthalate
<b>Thickness</b>	16 µm
<b>Pore size</b>	8.0 µm
<b>Pore density</b>	2 x 10 <sup>5</sup> /cm <sup>2</sup> , transparent
<b>Culture area</b>	ca. 0.6 cm <sup>2</sup>
<b>Surface treatment</b>	cellGrade™ plus

Subject to technical modification without notice. Errors excepted.