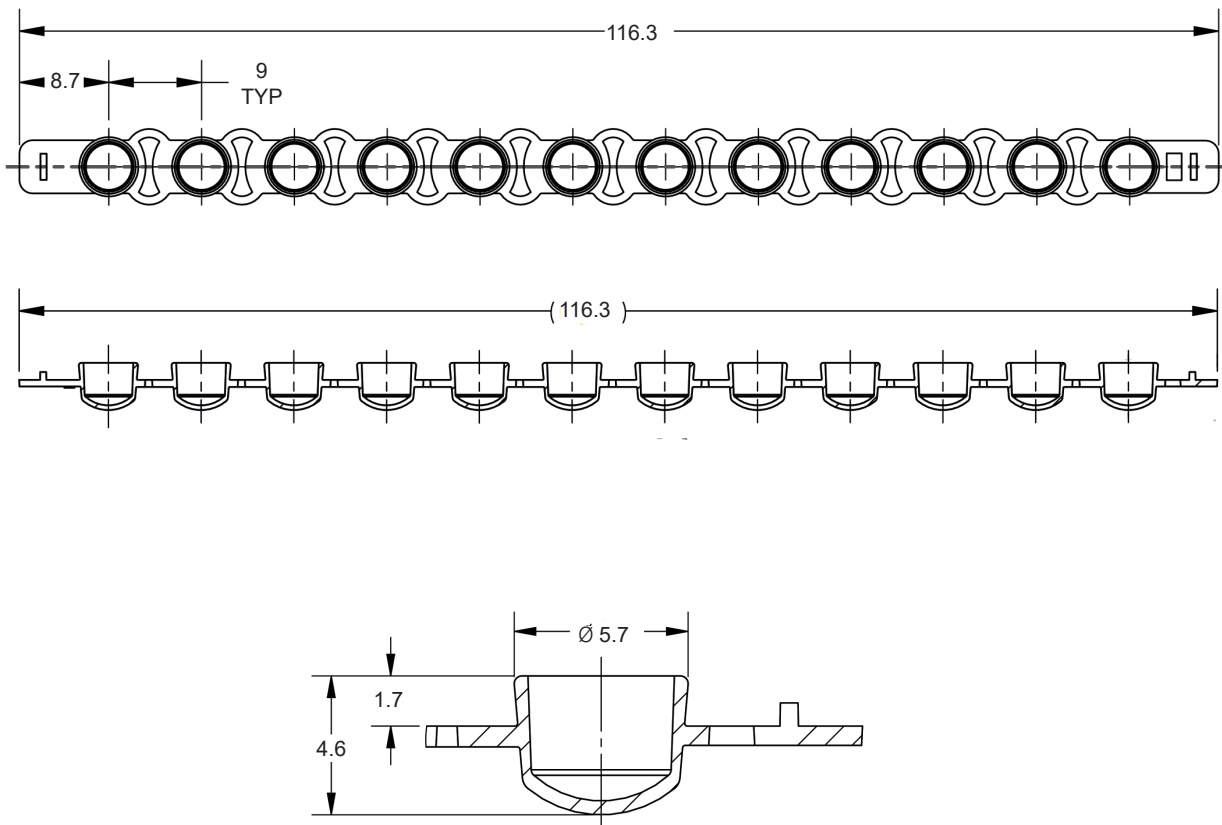


Cap Strip for 12 Tubes 781290



Dimensions in mm

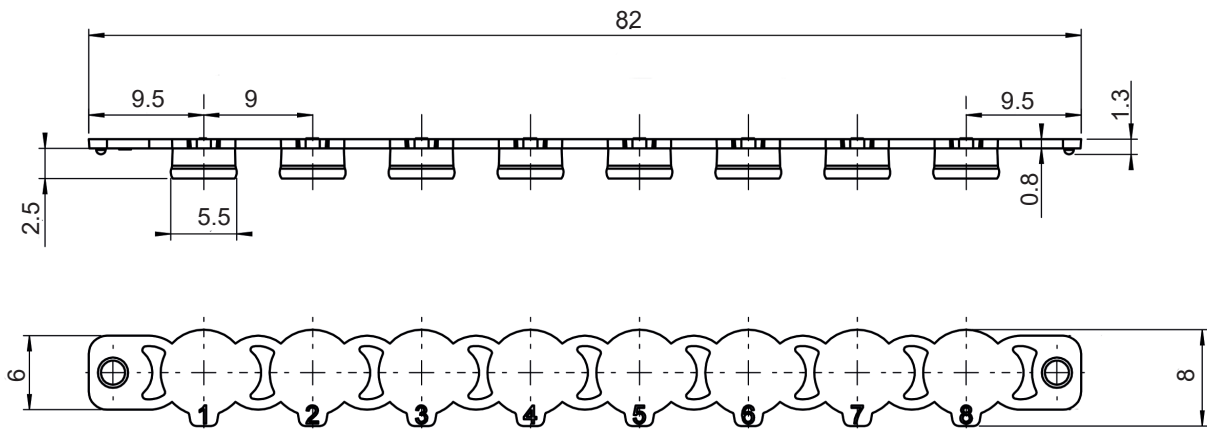
| | |
|-----------------|--|
| Type | domed cap strips |
| Material | PP |
| Color | transparent |
| Quality | Cleanroom class 8 according to ISO 14 644-1, Free of DNA*, RNase and DNase, Free of pyrogens, according to LAL test **, Free of PCR inhibitors |

* human and bacterial DNA, ** according to Limulus Amebocyte Lysate (LAL) test, detection limit 0.01 EU/ml



Subject to technical modification without notice. Errors excepted.

Cap Strip for 8 Tubes 781334



Dimensions in mm

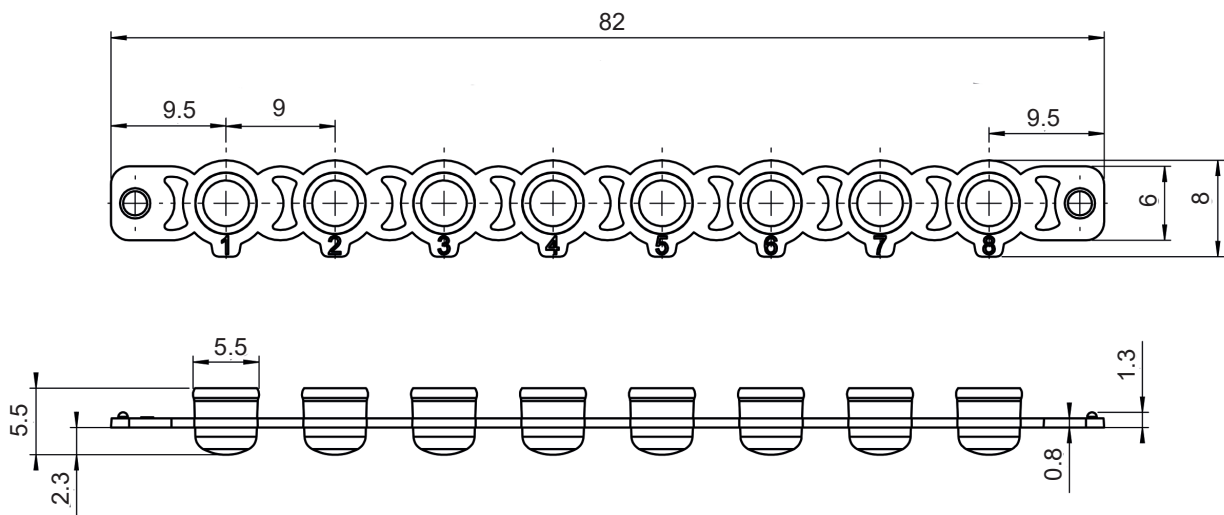
| | |
|-----------------|--|
| Type | flat caps |
| Material | PP |
| Color | transparent |
| Quality | Cleanroom class 8 according to ISO 14 644-1, Free of DNA*, RNase and DNase, Free of pyrogens, according to LAL test **, Free of PCR inhibitors |

* human and bacterial DNA, ** according to Limulus Amebocyte Lysate (LAL) test, detection limit 0.01 EU/ml



Subject to technical modification without notice. Errors excepted.

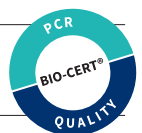
Cap Strip for 8 Tubes 781340



Dimensions in mm

| | |
|-----------------|--|
| Type | domed caps |
| Material | PP |
| Color | transparent |
| Quality | Cleanroom class 8 according to ISO 14 644-1, Free of DNA*, RNase and DNase, Free of pyrogens, according to LAL test **, Free of PCR inhibitors |

* human and bacterial DNA, ** according to Limulus Amebocyte Lysate (LAL) test, detection limit 0.01 EU/ml



Subject to technical modification without notice. Errors excepted.