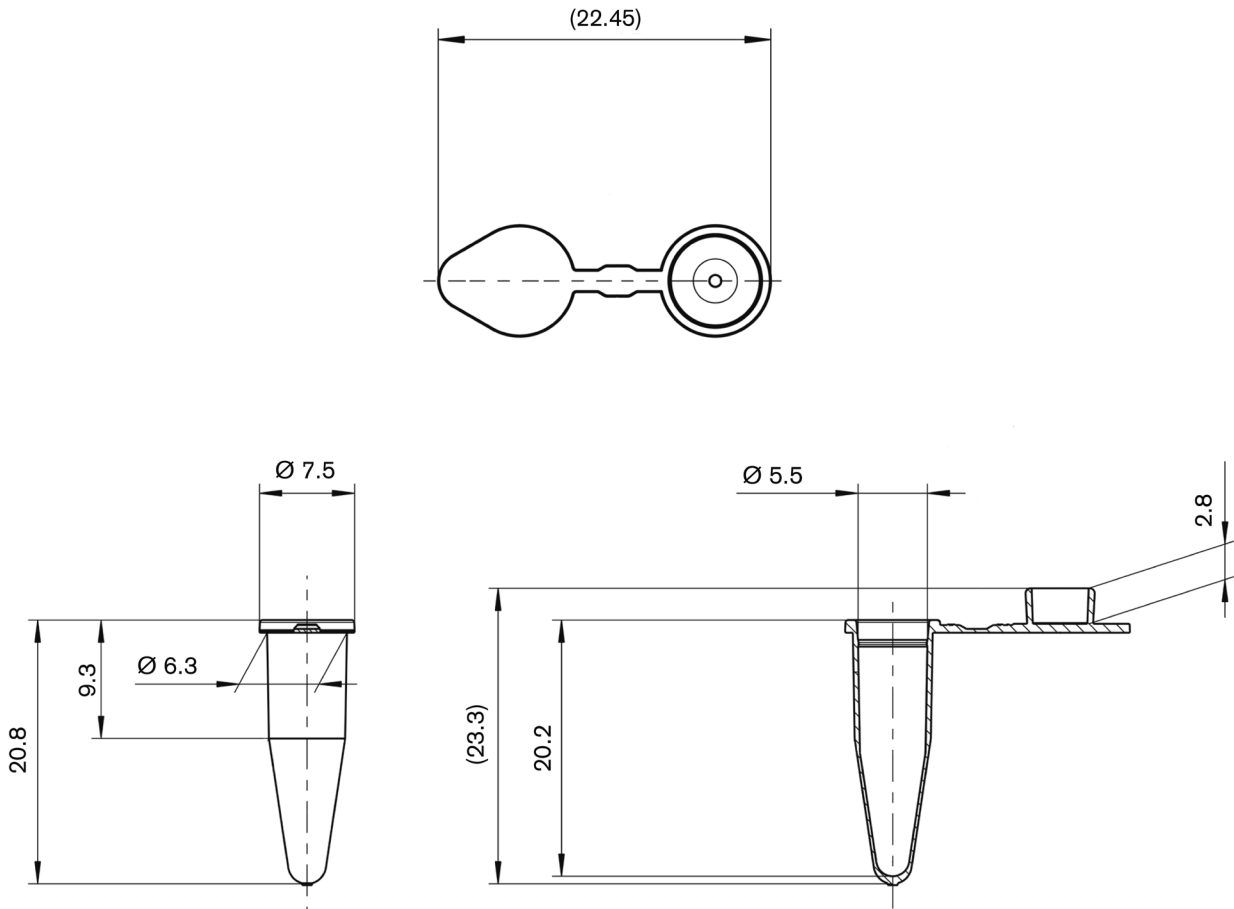


# Single tube PCR, 0.2 ml, with cap 781305



Dimensions in mm

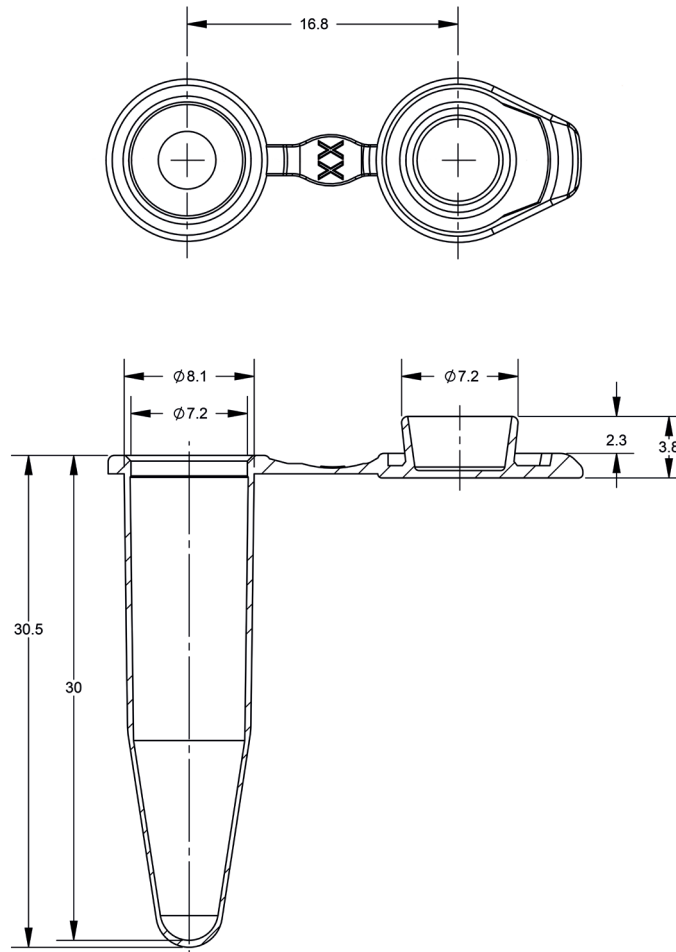
<b>Volume</b>	0.2 ml
<b>Graduation</b>	none
<b>Material</b>	PP
<b>Color</b>	transparent
<b>Diameter</b>	7.5 mm
<b>Hight</b>	20.8 mm
<b>Cap</b>	attached, flat cap
<b>Quality</b>	Cleanroom class 8 according to ISO 14 644-1, Free of DNA*, RNase and DNase, Free of pyrogens, according to LAL test **, Free of PCR inhibitors

\* human and bacterial DNA, \*\* according to Limulus Amebocyte Lysate (LAL) test, detection limit 0.01 EU/ml



Subject to technical modification without notice. Errors excepted.

# Single tube PCR, 0.5 ml, with cap 781310



Dimensions in mm

<b>Volume</b>	0.5 ml
<b>Graduation</b>	none
<b>Material</b>	PP
<b>Color</b>	transparent
<b>Diameter</b>	8.1 mm
<b>Hight</b>	30.5 mm
<b>Cap</b>	attached, flat cap
<b>Quality</b>	Cleanroom class 8 according to ISO 14 644-1, Free of DNA*, RNase and DNase, Free of pyrogens, according to LAL test **, Free of PCR inhibitors



\* human and bacterial DNA, \*\* according to Limulus Amebocyte Lysate (LAL) test, detection limit 0.01 EU/ml

Subject to technical modification without notice. Errors excepted.